

DIMENSIONS



WEIGHT

- ▶ 1.0 kg

INSTRUCTIONS FOR CARE

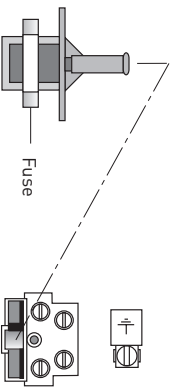
Disconnect supply main!

- ▶ Wipe lamp with a soft cloth only. Use mild detergent (e.g. glass cleaner). Do not use scouring agent!

FUSE REPLACEMENT

Disconnect supply main!

- ▶ The lamp is equipped with a fuse located in the wall holder [C]. Replace with a F2 H / 250 V-fuse.



TECHNICAL SPECIFICATION



Line Voltage	230 V
Output	200 or 300 W
Illuminant	1 halogen lamp 200 or 300 W, socket R7s
Control	adjustable through external dimmer
Fuse	F2 H/250 V

BASIS WAND

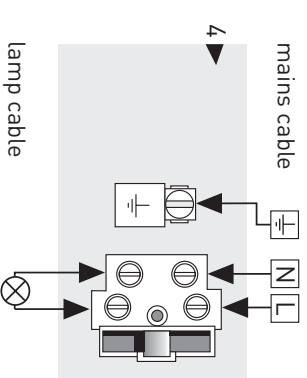
serien
.lighting

serien Raumleuchten GmbH Hainhäuser Str. 3-7 D-63110 Rodgau



Design Jean-Marc da Costa

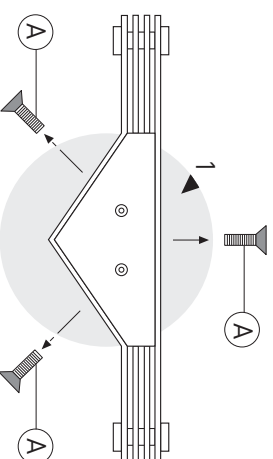
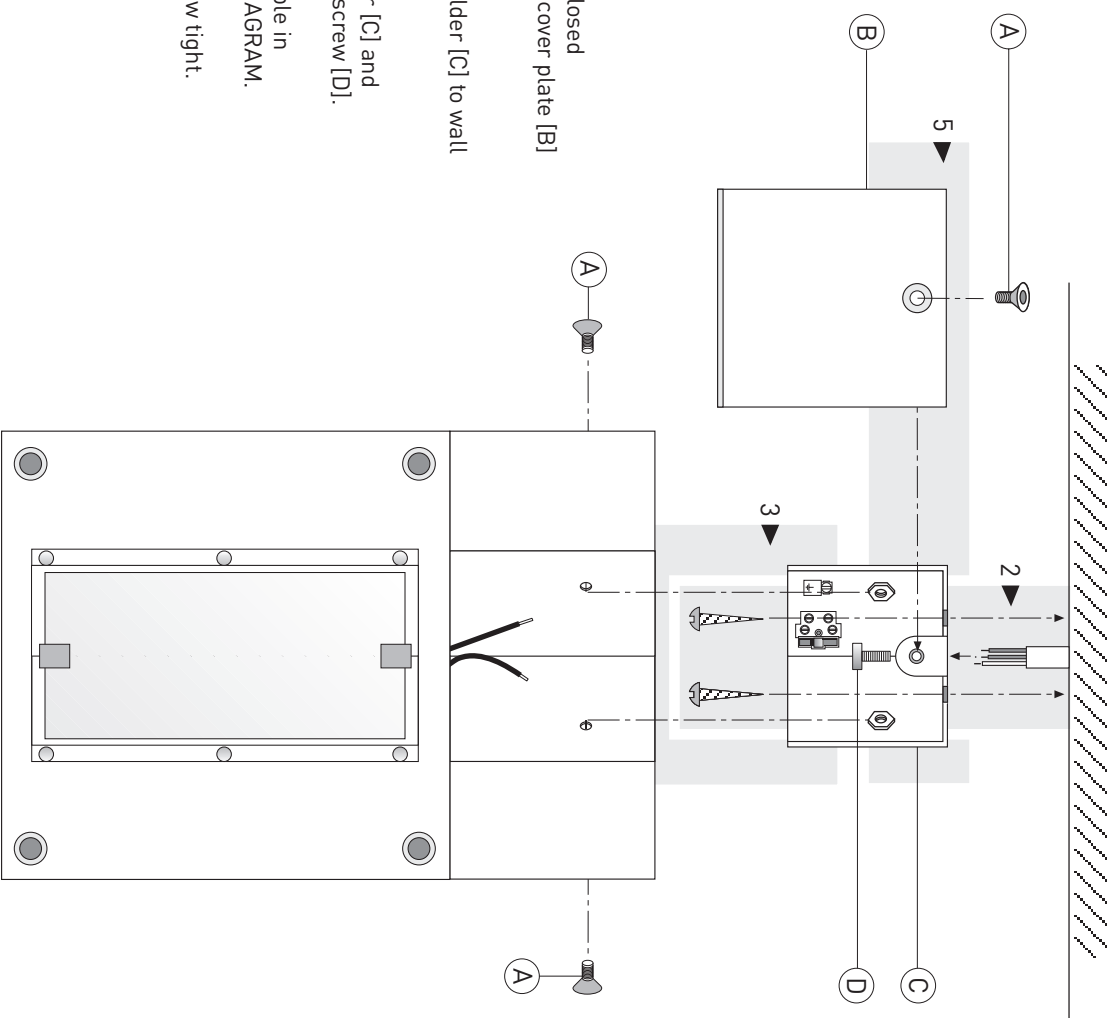
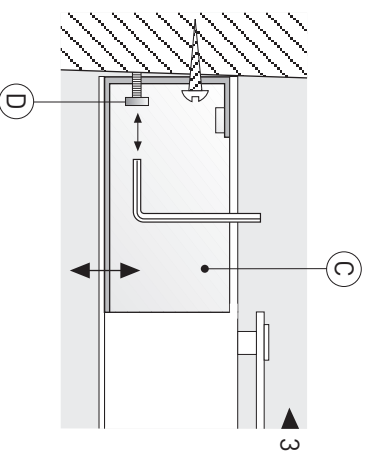
CONNECTION DIAGRAM



MOUNTING TO WALL

Disconnect supply main!

- 1 ▶ Loosen three screws [A] with enclosed open-ended spanner and remove cover plate [B] as well as wall holder [C].
- 2 ▶ Insert mains cable and fix wall holder [C] to wall with two screws.
- 3 ▶ Screw lamp back onto wall holder [C] and adjust to horizontal position with screw [D].
- 4 ▶ Connect wire mains and lamp cable in accordance with CONNECTION DIAGRAM.
- 5 ▶ Remount cover plate [B] and screw tight.



BULB REPLACEMENT

Disconnect supply main!

- a ▶ Pull off protective glass [F] and clamps [E] from socket.
- b ▶ Push one end of bulb into socket deep enough to allow removal of other end. Insert new bulb by repeating procedure in virtually reversed order. Do not touch bulb with bare fingers!
- c ▶ Push protective glass [F] and clamps [E] back onto socket.

