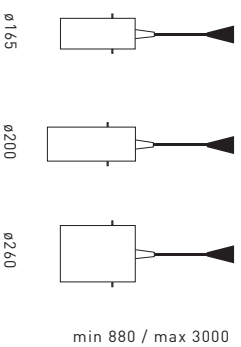


## DIMENSIONS



## WEIGHT

- ▶ 1.5 kg

## INSTRUCTIONS FOR CARE

- ▶ For the cleaning of the shades we recommend:
  - Disconnect supply main and wipe the inside of the shade with a damp soft cloth.
  - Wipe the outside of the shade with a dry cloth only.

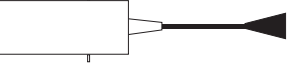
## TECHNICAL SPECIFICATION

Line voltage	230 V
Output	100 W
Illuminant	incandescent lamp max. 100 W, E27
Control	through external dimmer possible
Protective system	protection class II

# CLUB PENDEL

**serien**  
.lighting

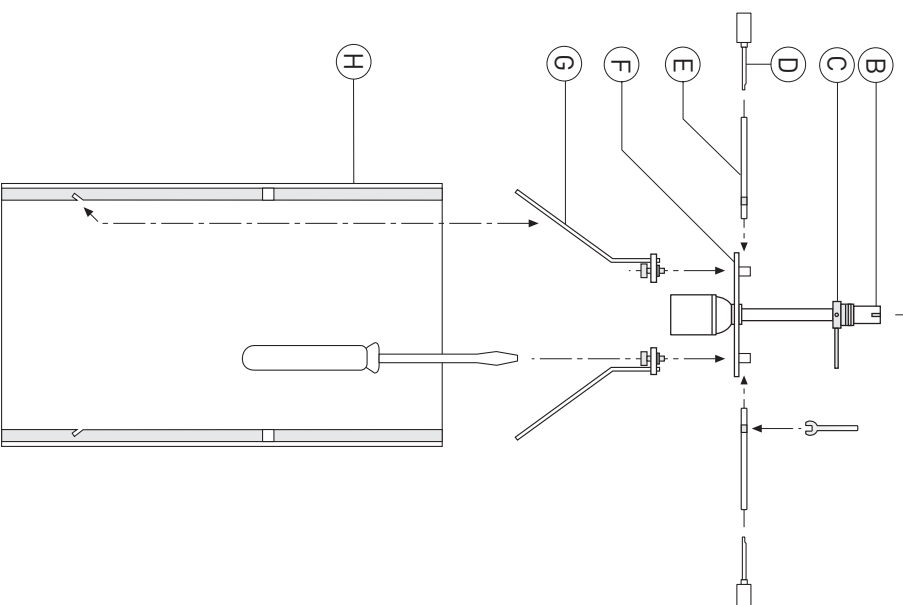
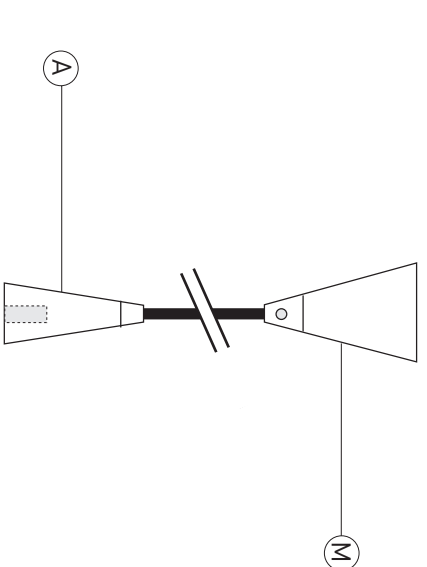
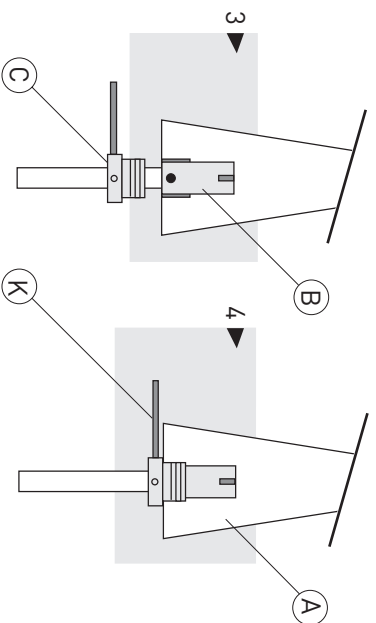
serien Raumleuchten GmbH Hainhäuser Str. 3-7 D-63110 Rodgau



Design Jean-Marc da Costa

## MOUNTING THE LAMP

- 1 ▶ Fix shade support [G] to body [F] using designated screws. Mount threaded bolts [E] to body [F] using a spanner.
- 2 ▶ Slide shade [H] over body [F] and clip into shade support [G]. Slide knobs [D] through lateral hole in shade [H] and screw into threaded bolts [E].
- 3 ▶ Carefully insert contact plug [B] into socket of lamp base [A] and turn slightly until plug snaps into position.
- 4 ▶ Screw lock ring [C] into socket [A] with designated lever [K].
- 5 ▶ Insert appropriate light bulb (see TECHNICAL SPECIFICATION).



## MOUNTING THE LAMP

**Disconnect supply main!**

- 6 ▶ Fix screw hook to chosen spot on ceiling.
- 7 ▶ Fasten lamp suspension [L] to lamp cable at desired length, hook in lamp and connect mains cable (insulate terminal!).
- 8 ▶ Push up canopy [M] and screw tight laterally.

