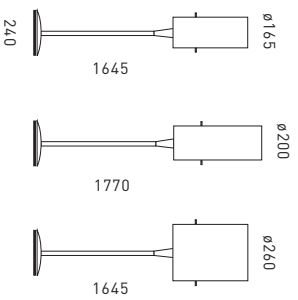


DIMENSIONS



CLUB

WEIGHT

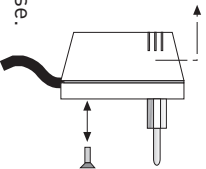
- ▶ 4,0 kg

FUSE REPLACEMENT

Disconnect supply main!

The lamp is equipped with a fuse that is located in the plug.

- ▶ To replace the fuse loosen screw at the bottom of the plug, push the cap upwards and take it off.
Replace with a 3 A or 3:15 A fuse.

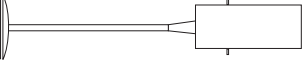


TECHNICAL SPECIFICATIONS

Line voltage	230 V
Output	180 W
Illuminant	for shade sizes M and L: 1 incandescent lamp max. 100 W, E27 2 incandescent lamps max. 40 W, E14 for shade sizes S: 1 incandescent lamp max. 75 W, E27 2 incandescent lamps max. 25 W, E14 through integrated dimmer and 3-step-control
Control	
Fuse	3 A or 3:15 A

serien
.lighting

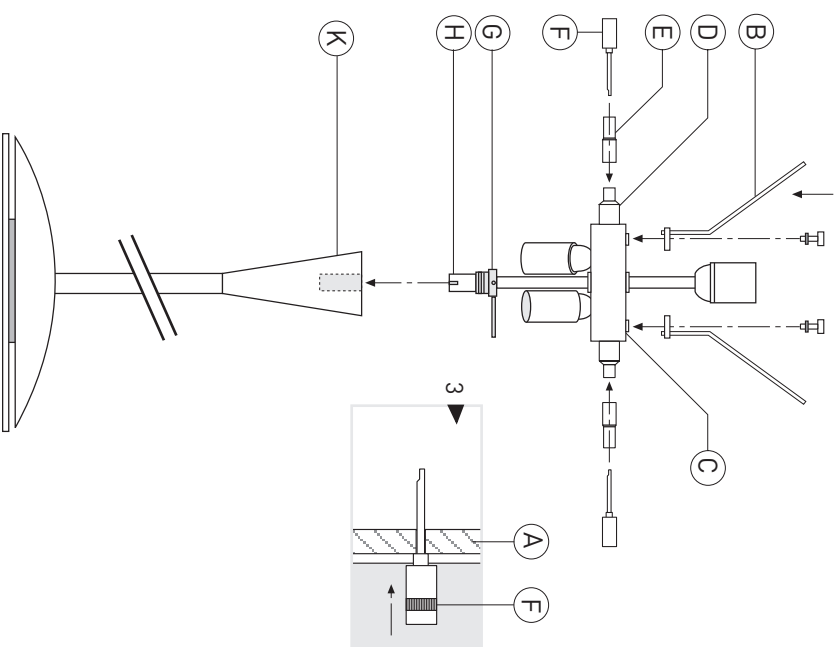
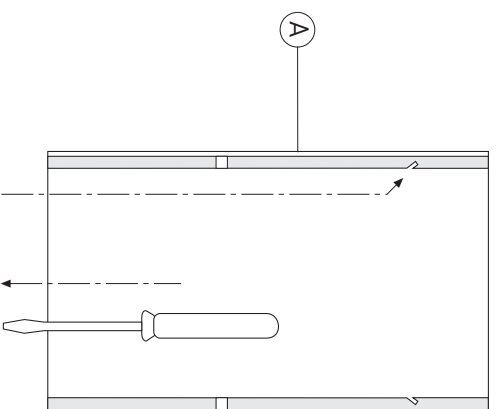
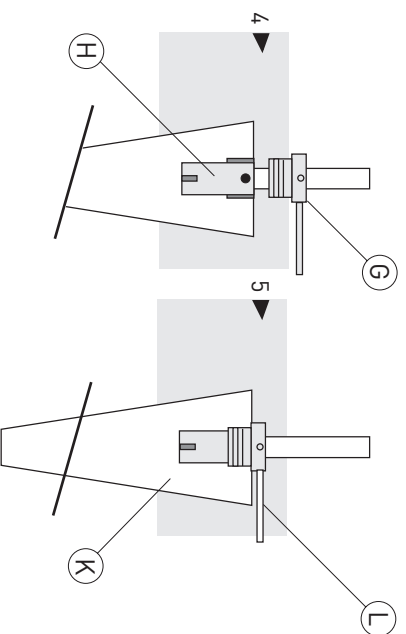
serien Raumleuchten GmbH Hainhäuser Str. 3-7 D-63110 Rodgau



Design Jean-Marc da Costa

ASSEMBLY

- 1 ► Fix mounting support [B] with assigned screws to body [C]. If present, push distance-tube [E] onto control [D].
- 2 ► Slide shade [A] over body [C] and clip into mounting support [B].
- 3 ► Push control knobs [F] through shade [A] into control [D]. To allow them to slide into position, turn knobs until they can be fully inserted.
- 4 ► Carefully push contact plug [H] of lamp body [C] into socket of lamp base [K]. Turn without applying force until plug snaps home.
- 5 ► Screw lock ring [G] into socket[H] with lever [L].
- 6 ► Insert light bulbs (see TECHNICAL SPECIFICATIONS). Should lever [L] be in the way when bulbs are screwed in, fix to another hole in ring.



USING THE LAMP

- One of the control knobs [F] is for separate operation of the illuminants, while the other serves the dimmer.
- The cable can be coiled up in base of the lamp.

GENERAL ADVICE

- Except from the potentiometer, all dimmer components are located in the plug. Should the dimmer be defect, the plug can easily be replaced.

INSTRUCTIONS FOR CARE

► Disconnect mains cable!

The aluminium parts of the lamps are lacquered for protection. Therefore wipe lamp only with a soft cloth and mild detergents (e.g. glass cleanser).

To clean the shade we recommend:

- Disconnect mains cable and wipe the inside of the shade with a damp soft cloth.
- Wipe the outside of the shade with a dry and soft cloth only.

serien Club