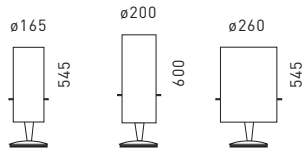
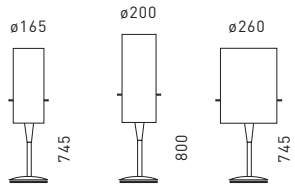


DIMENSIONS



niedrige Ausführung



hohe Ausführung



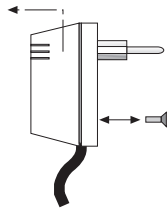
WEIGHT

- ▶ 2,5 kg / 5,5 lbs

FUSE REPLACEMENT

The lamp is equipped with a fuse located in the plug.

- ▶ To replace the fuse loosen screw at the bottom of the plug, push the cap upwards and pull it off.



TECHNICAL SPECIFICATIONS

Line voltage	230 V
Output	180 W
Illuminant	for shade sizes M and L: 1 incandescent lamp max. 100 W, E27 2 incandescent lamps max. 40 W, E14 for shade size S: 1 incandescent lamp 75 W, E27 2 incandescent lamps max. 25 W, E14
Control	through integrated dimmer and 3-step-control
Fuse	3 A or 3.15 A

serien
.lighting

serien Raumleuchten GmbH Hainhäuser Str. 3-7 D-63110 Rodgau

CLUB TISCH

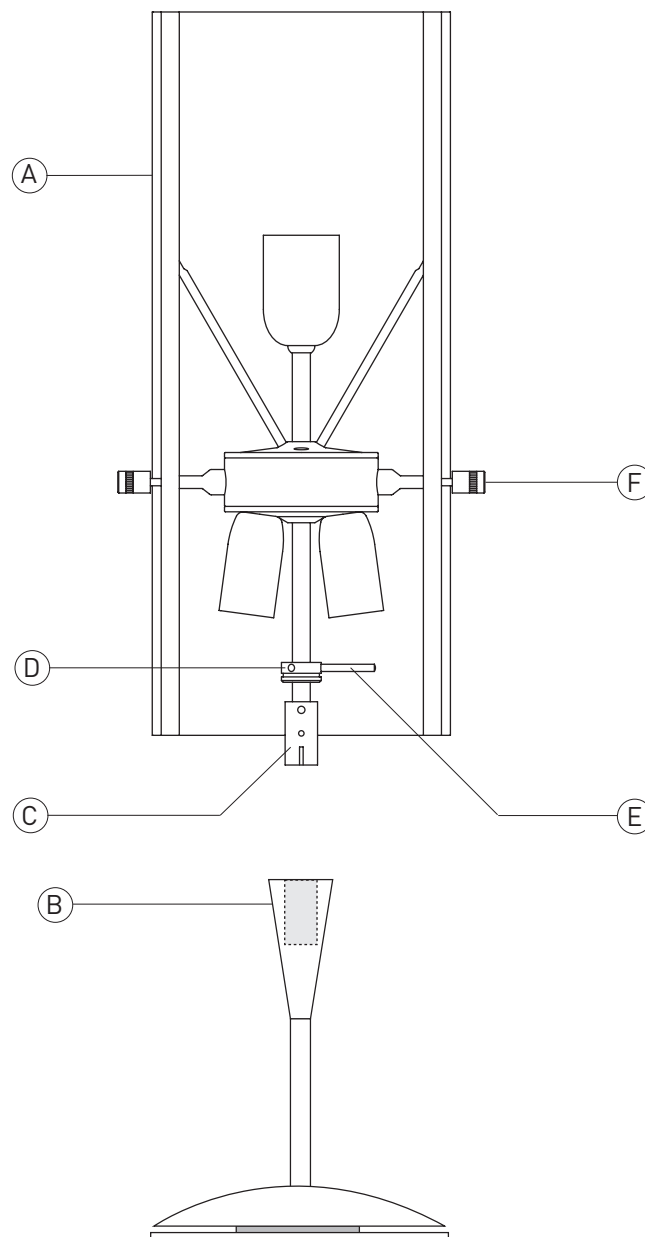
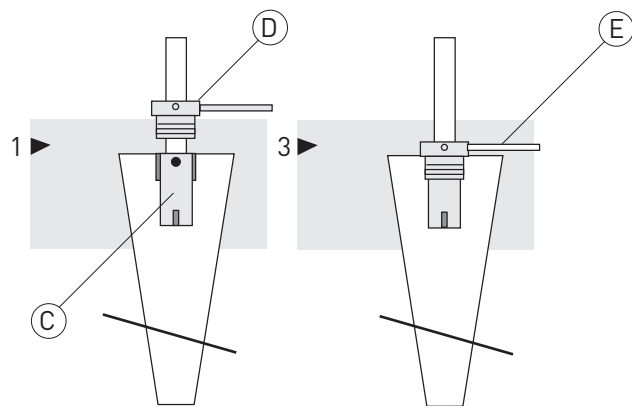


Design Jean-Marc da Costa

ASSEMBLY

- 1 ► Carefully push contact plug [C] of lamp body [A] into socket of lamp base [B].
- 2 ► Turn without applying force until contact plug [C] snaps home.
- 3 ► Screw lock ring [E] into socket [B].
- 4 ► Insert light bulbs (see TECHNICAL SPECIFICATIONS).

Should lever [E] be in the way when bulbs are screwed in, fix to another hole in ring.



USING THE LAMP

- One of the control knobs [F] is for separate operation of the illuminants, while the other serves the dimmer.
- The cable can be coiled up in base of the lamp.

GENERAL ADVICE

- Except from the potentiometer, all dimmer components are located in the plug. Should the dimmer be defect, the plug can easily be replaced.

INSTRUCTIONS FOR CARE

- **Disconnect mains cable!**

The aluminium parts of the lamps are lackored for protection. Therefore wipe lamp only with a soft cloth and mild detergents (e.g. glass cleanser).

To clean the shade we recommend:

- Disconnect mains cable and wipe the inside of the shade with a damp soft cloth.
- Wipe the outside of the shade with a dry and soft cloth only.

serien Club Tisch