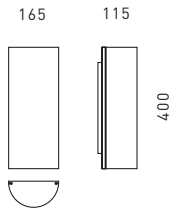


## DIMENSIONS



## WEIGHT

► 0.6 kg

## TECHNICAL SPECIFICATIONS

Line voltage	230 V
Output	max 80 W (incandescent lamps)
Illuminants	max 11 W (compact fluorescent lamps) 2 x incandescent lamps max. 40 W, E14 OR 1 x 11 W compact fluorescent lamp, socket G23
Control	incandescent lamps are dimmable with external dimmer, compact fluorescent lamps cannot be dimmed.

serien  
.lighting

serien Raumluchten GmbH Hainhäuser Str. 3-7 D-63110 Rodgau

# CLUB WAND



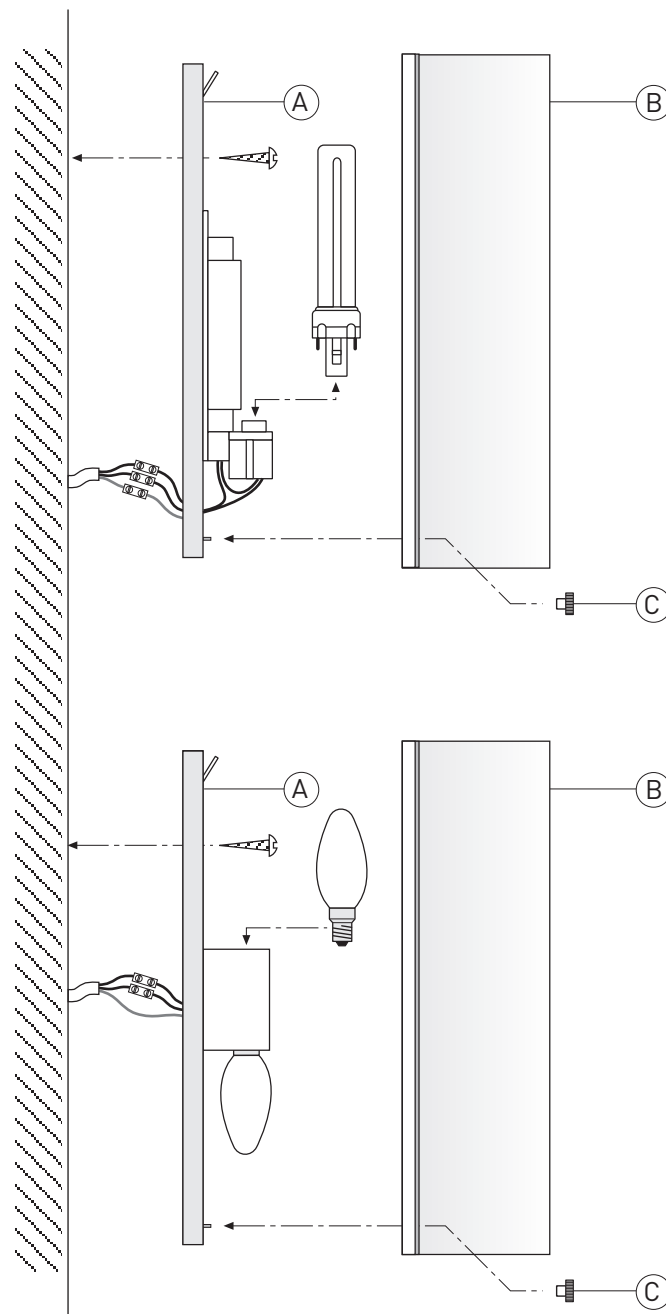
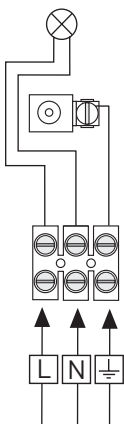
Design Jean-Marc da Costa

## MOUNTING TO WALL

**Disconnect supply main!**

- 1 ► Loosen curled nut [C] and remove wall holder [A] from shade [B]..
- 2 ► Connect mains cable according to CONNECTION DIAGRAM.
- 3 ► Mount wall holder [A] to desired spot on the wall.
- 4 ► Insert light bulbs (see TECHNICAL SPECIFICATIONS)
- 5 ► Clip shade [B] into wall holder [A] and fix with nut [C].

## CONNECTION DIAGRAM



## INSTRUCTIONS FOR CARE

- To clean the shade we recommend:
  - Disconnect mains cable and wipe the inside of the shade with a damp soft cloth.
  - Wipe the outside of the shade with a dry and soft cloth only.

serien Club Wand