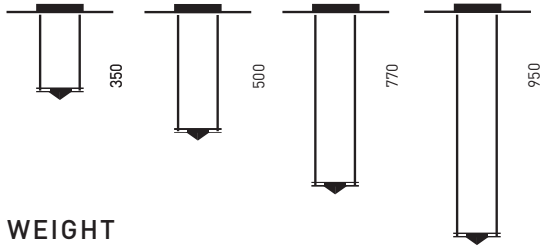


DIMENSIONS



WEIGHT

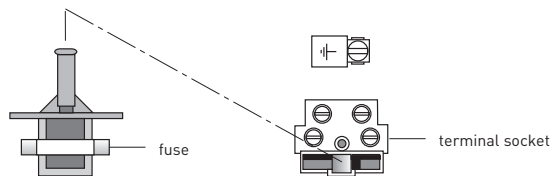
- ▶ 2.0 kg

FUSE REPLACEMENT

Disconnect supply main!

The lamp is equipped with a fuse located in the terminal socket of the assembly plate [A].

- ▶ Loosen both screws of reflector plate [E] and push downwards.
- ▶ Pull out fuse clip from terminal socket and replace fuse.
For 200 W or 300 W bulbs use F2 H/250 V-fuse.
For 500 W use F4 H/250 V-fuse.



- ▶ Push up reflector plate [E] and tighten screws.

TECHNICAL SPECIFICATIONS

Line voltage	230 V
Output	200, 300 or 500 W
Illuminant	1 halogen lamp of 200, 300 or 500 W, socket R7s
Control	recommended through external dimmer
Fuse	see FUSE REPLACEMENT

serien
.lighting

serien Raumluchten GmbH Hainhäuser Str. 3-7 D-63110 Rodgau

REFLEX CLASSIC



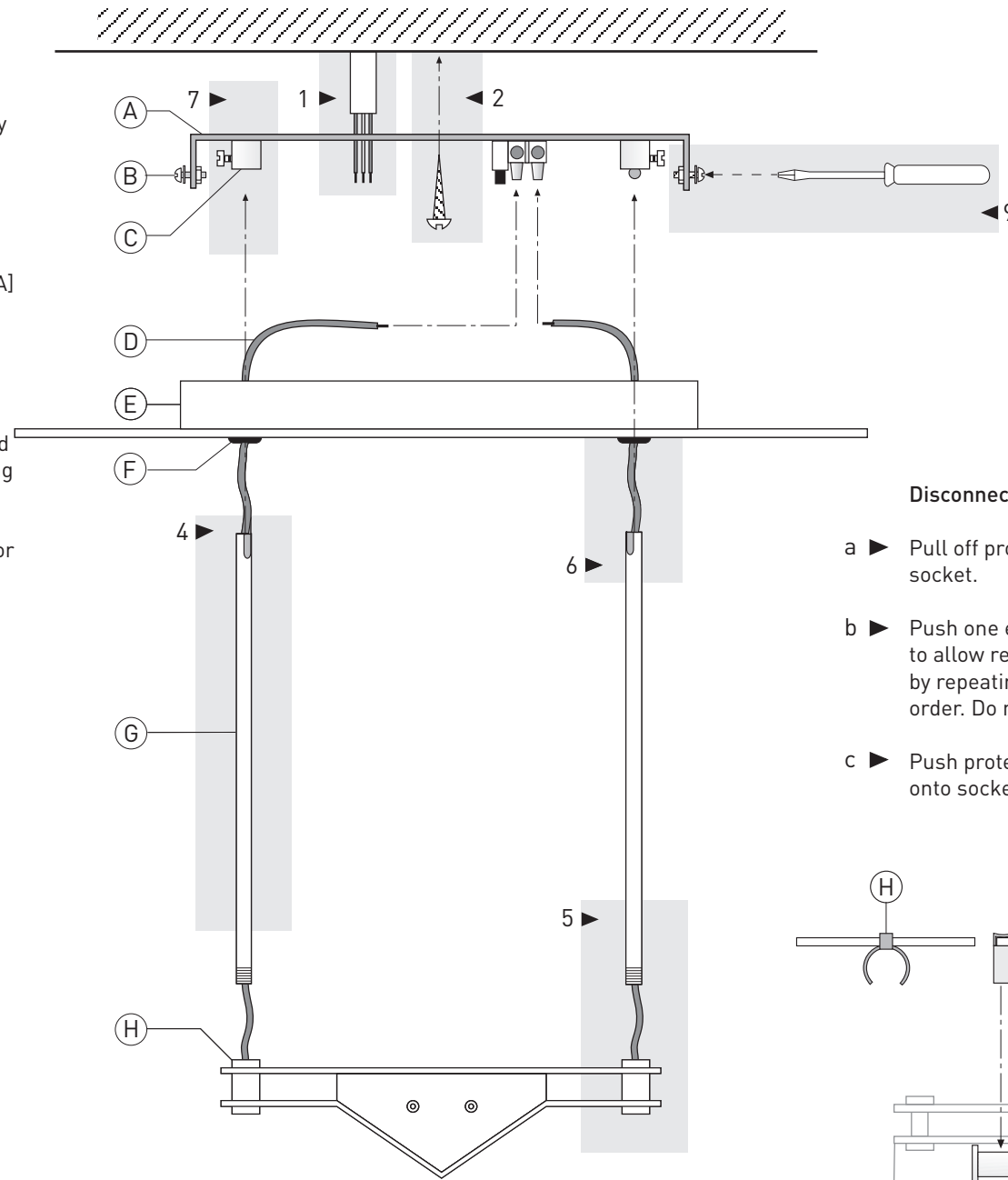
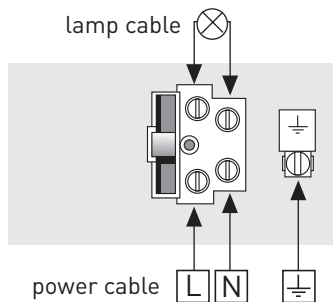
Design Jean-Marc da Costa

MOUNTING UNDER CEILING

Disconnect supply main!

- 1 ► Feed power cable through large holes in assembly plate [A].
- 2 ► Fix assembly plate [A] to chosen spot with one screw.
- 3 ► Wire power cable to terminal on assembly plate [A] according to CONNECTION DIAGRAM.
- 4 ► Guide lamp cables [C] through the two tubes with punched end [G].
- 5 ► Push all tubes into adapter sleeves [H] to limit and screw tight. Avoid punched ends of tubes [G] facing the screws in set collars [C].
- 6 ► Guide tubes through rubber sockets [F] of reflector plate [E].
- 7 ► Push tubes into set collars [C] of assembly plate [A] and tighten lateral screws.
- 8 ► Connect lamp cable [D] to terminal according to CONNECTION DIAGRAM.
- 9 ► Push reflector plate [E] upwards over assembly plate [A] and tighten lateral screws [B].

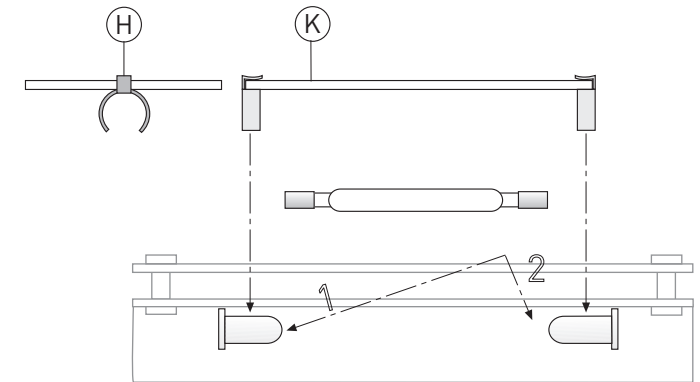
CONNECTION DIAGRAM



BULB REPLACEMENT

Disconnect supply main!

- a ► Pull off protective glass [K] and clamps [H] from socket.
- b ► Push one end of bulb into socket deep enough to allow removal of other end. Insert new bulb by repeating procedure in virtually reversed order. Do not touch bulb with bare fingers!
- c ► Push protective glass [K] and clamps [H] back onto socket.



serien Reflex Classic