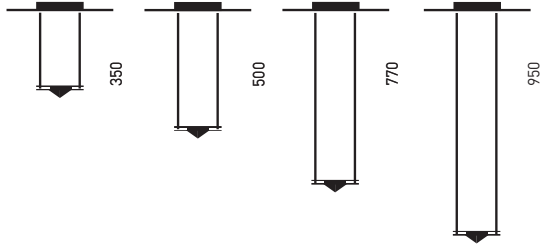


DIMENSIONS



WEIGHT

▶ 3.5 kg

TECHNICAL SPECIFICATIONS

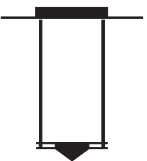


Line voltage	230 V
Output	70 W or 150 W
Illuminant	1 metal-halide 70 W or 150 W (HIT), socket RX 7s
Control	not dimmable!

serien
.lighting

serien Raumleuchten GmbH Hainhäuser Str. 3-7 D-63110 Rodgau

REFLEX CLASSIC HIT

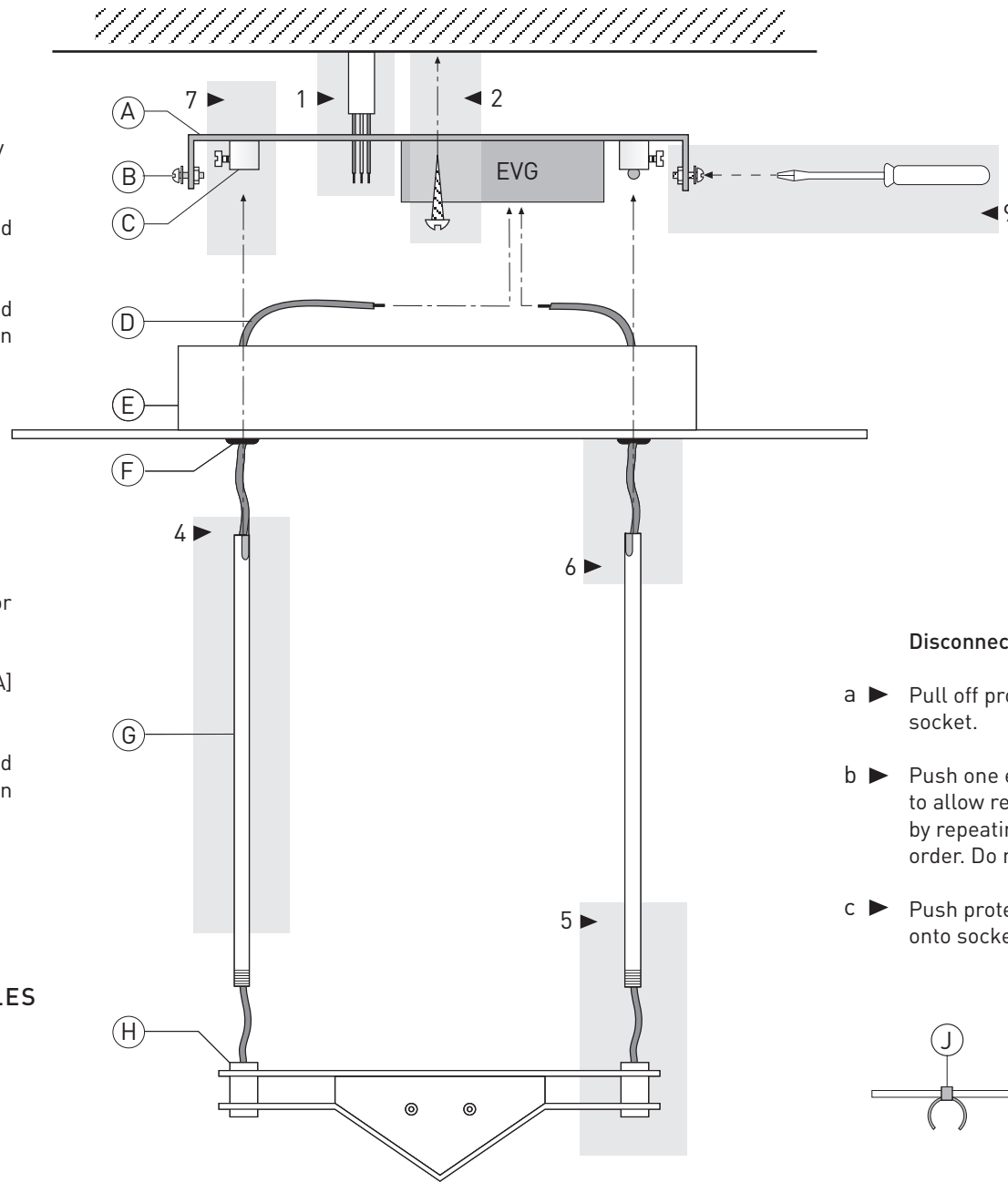


Design Jean-Marc da Costa

MOUNTING UNDER CEILING

Disconnect supply main!

- 1 ▶ Feed power cable through large holes in assembly plate [A].
- 2 ▶ Fix assembly plate [A] to chosen spot with enclosed screw.
- 3 ▶ Wire power cable to electronic ballast [EVG] located on assembly plate [A] according to wiring details on electronic ballast.
- 4 ▶ Guide lamp cable [D] through the two tubes with punched end [G].
- 5 ▶ Push all tubes [G] into adapter sleeves [H] to limit and screw tight. Avoid punched ends of tubes [G] facing the screws in set collars [C].
- 6 ▶ Guide tubes through rubber sockets [F] of reflector plate [E].
- 7 ▶ Push tubes into set collars [C] of assembly plate [A] and tighten lateral screws.
- 8 ▶ Connect lamp cable [D] to electronic ballast located on assembly plate [A] according to wiring details on electronic ballast.
- 9 ▶ Push reflector plate [E] upwards over assembly plate [A] and tighten lateral screws



CONNECTING THE POWER AND LAMP CABLES

- ▶ For details on how to correctly wire both power and lamp cables to the electronic ballast refer to the wiring instructions printed on the electronic ballast.

serien Reflex Classic HIT

BULB REPLACEMENT

Disconnect supply main!

- a ▶ Pull off protective glass [K] and clamps [J] from socket.
- b ▶ Push one end of bulb into socket deep enough to allow removal of other end. Insert new bulb by repeating procedure in virtually reversed order. Do not touch bulb with bare fingers!
- c ▶ Push protective glass [K] and clamps [J] back onto socket.

