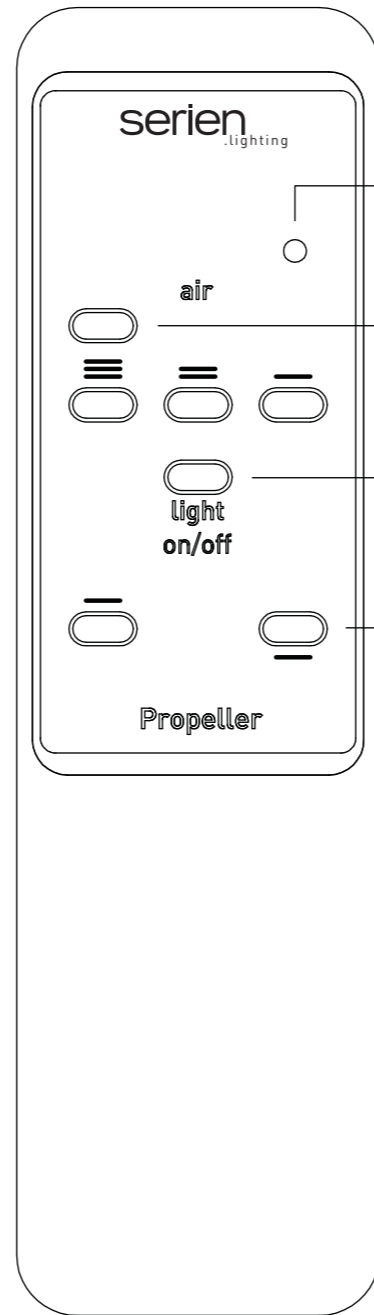


mm	
kg	10,5 kg / 23.1 lbs
	max. 150 W, E 27



Benutzen der Fernbedienung Using the infrared remote control

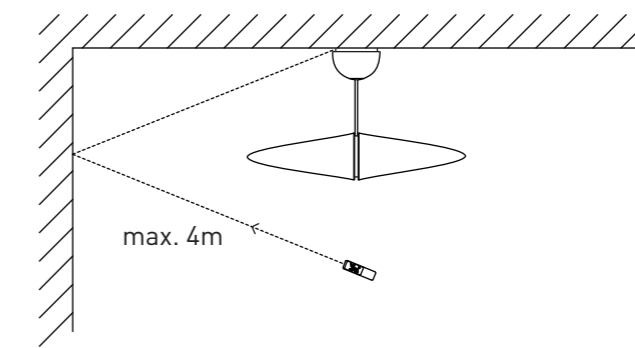
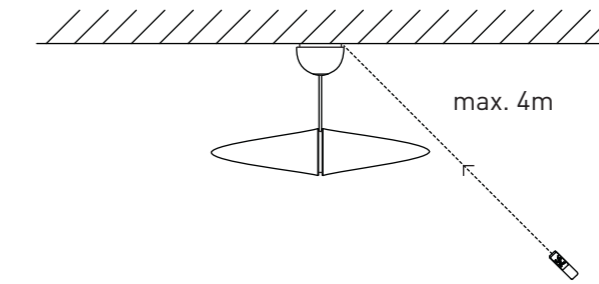
Batteriestandsanzeige: wenn Diode bei Betätigung der Fernbedienung nicht leuchtet, bitte Batterie wechseln.
Battery charge indicator: if diode does not light up when operating the remote control, please replace the batteries.

**Einstellen der Geschwindigkeit des Ventilators:
aus / schnell / mittel / langsam**
Use to set the speed of the fan:
off / fast / medium / slow

Ein- / Ausschalten des Leuchtmittels
Use to switch the lamp on and off

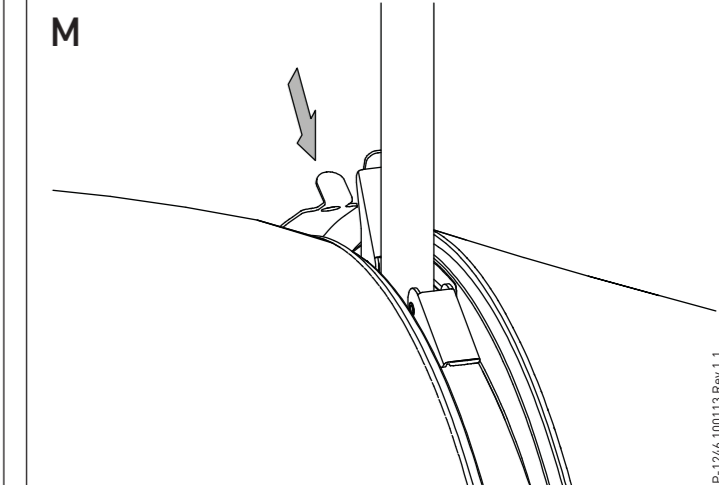
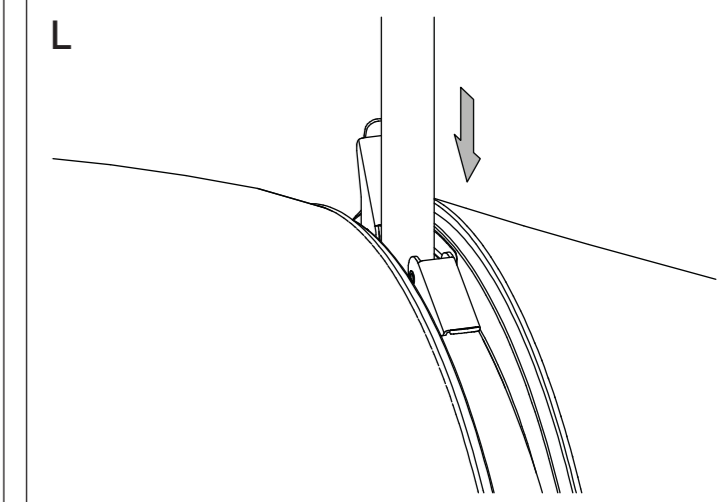
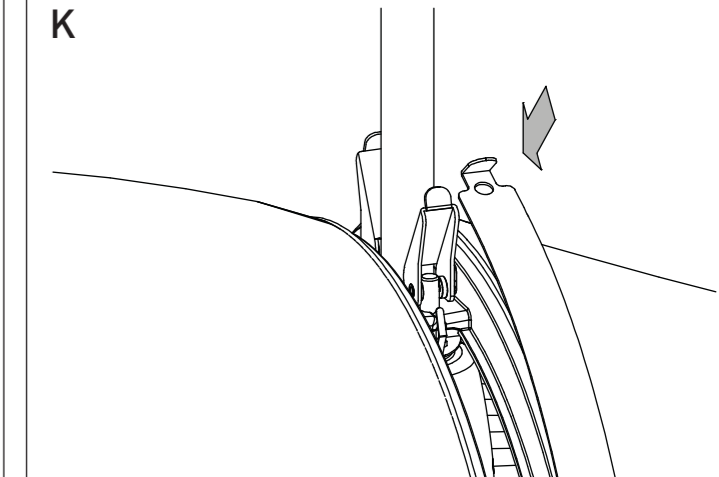
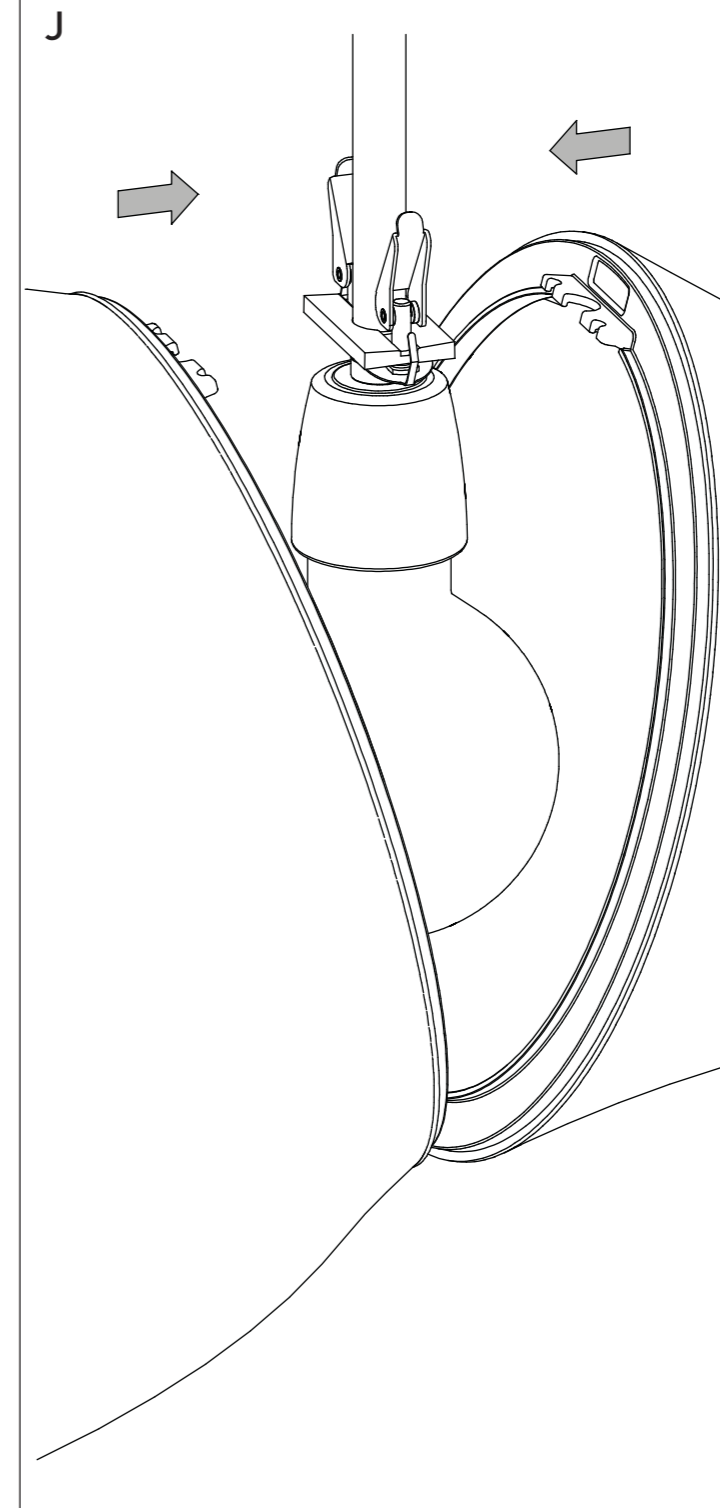
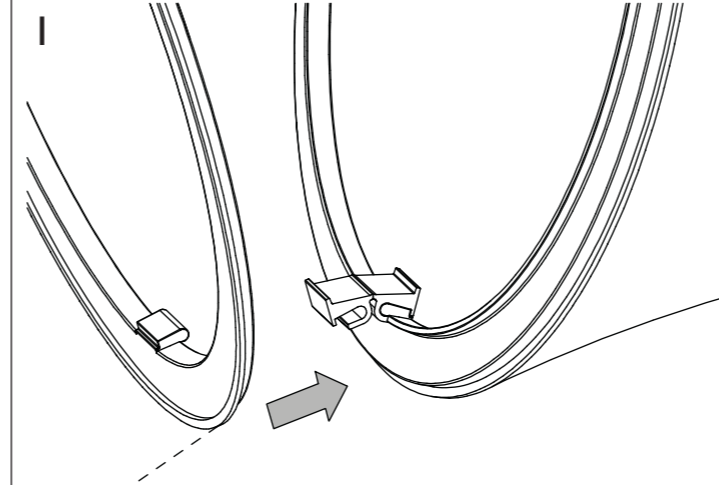
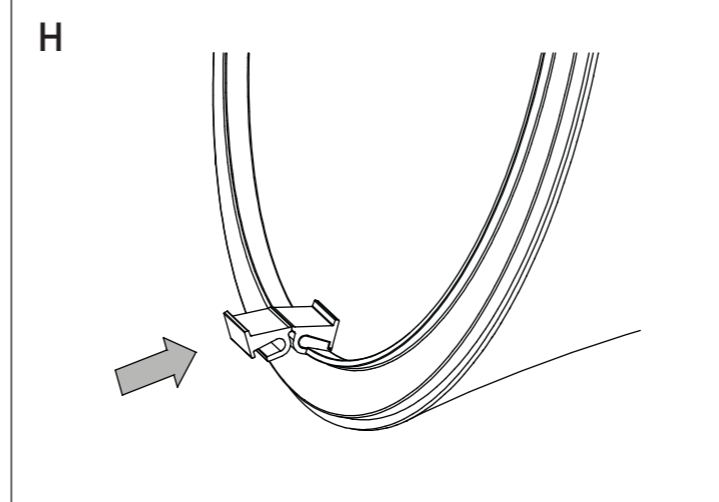
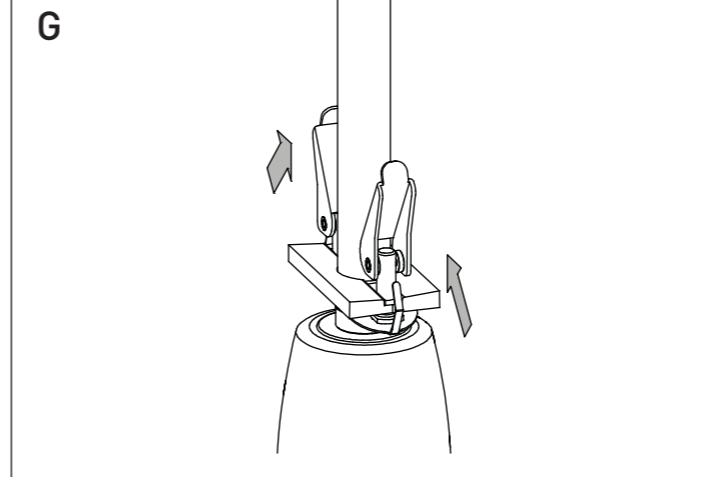
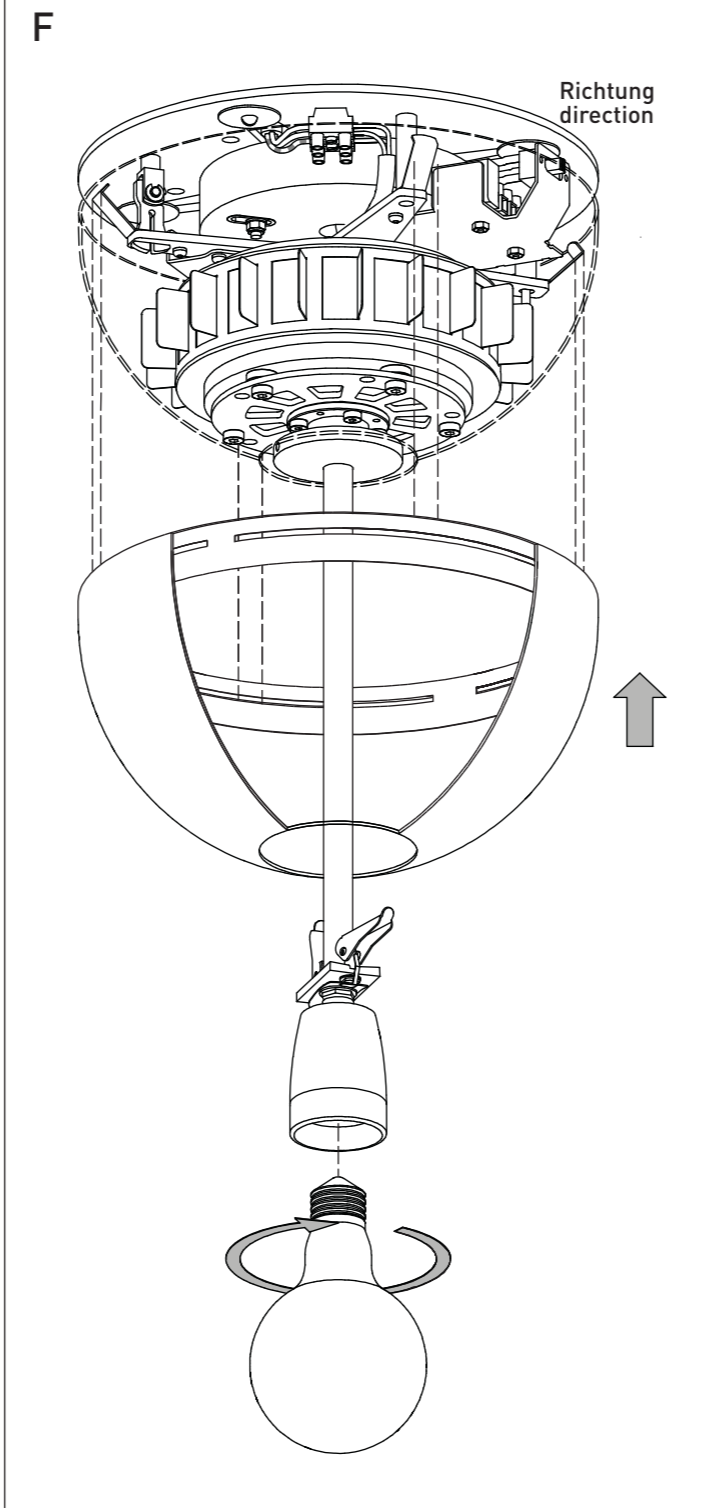
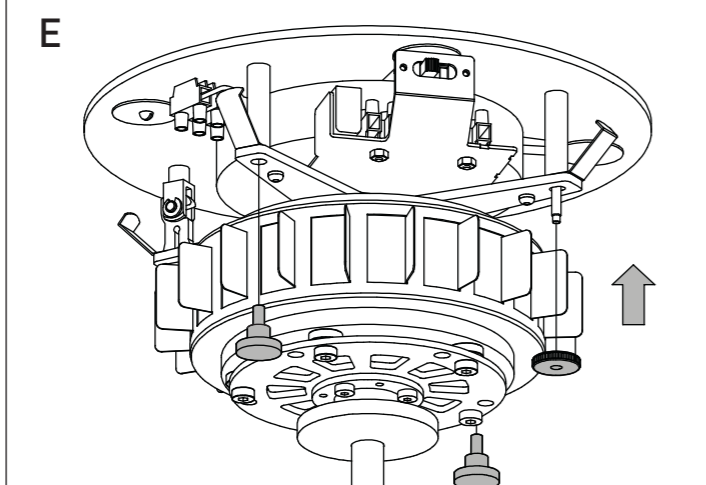
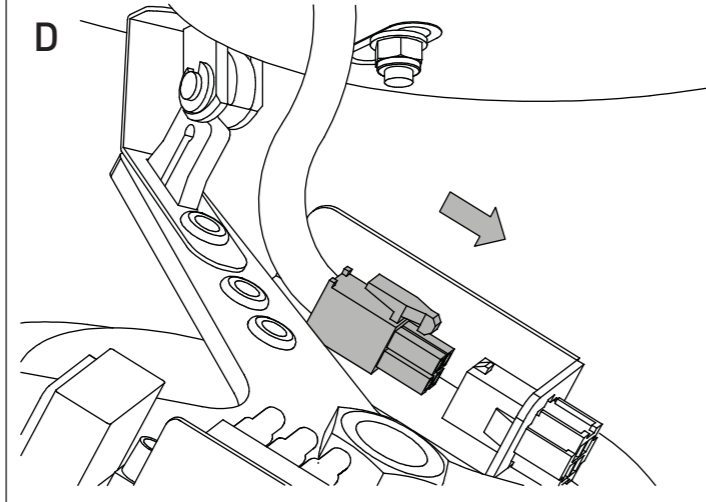
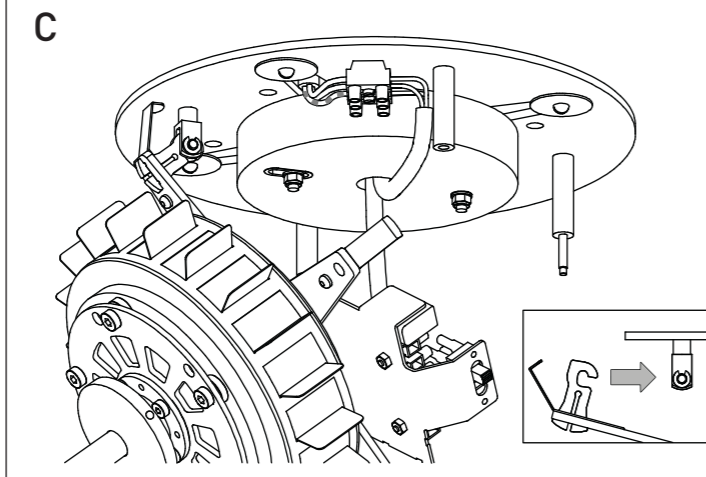
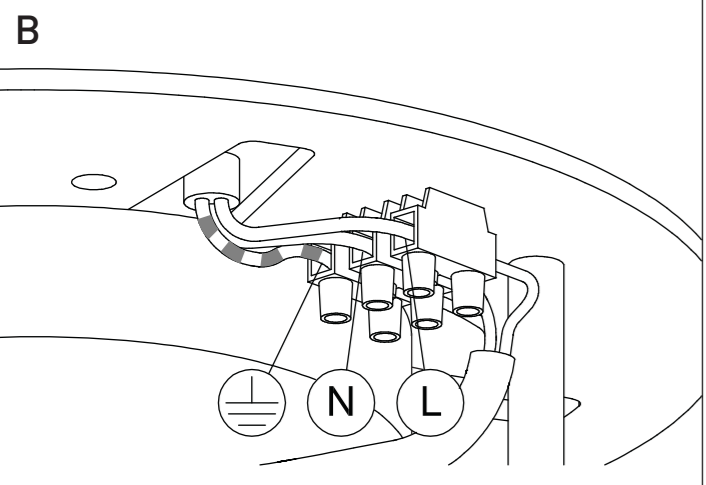
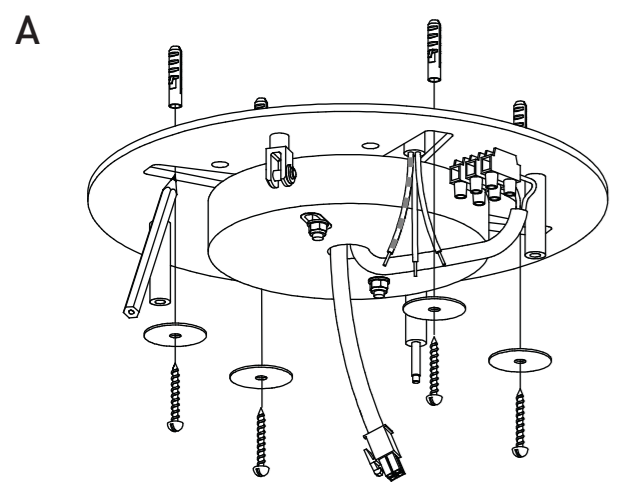
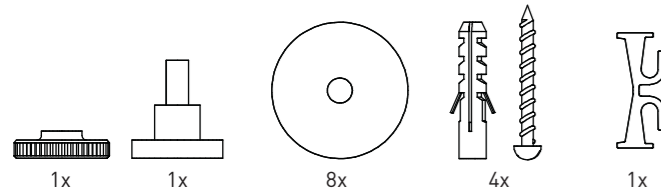
Dimmen des Leuchtmittels: hell / dunkel
Dimmer controls of the lamp: bright / dim

Die Fernbedienung benötigt 2 x 1,5V AA Batterien
The remote control uses 2 batteries, type 1.5 V AA



PROPELLER

- Ⓓ Vor Montage der Leuchte Sicherung ausschalten!
- ⒼⒸ Disconnect fuse prior to installation!
- Ⓕ Pour la pose de luminaire, couper le courant!
- Ⓘ Assicurarsi che la lampada si spenta prima del montaggio!



Propeller

Assembly instructions

General information:

Before assembly switch off power supply safety fuse!

- To be switched off by qualified electrician only!
- Fan for indoor use only
- Read assembly instructions carefully!
- Mounting material is designed for concrete ceilings, in any case
- Suitable mounting material must be used.
- Material: 2 x wings with cover, black plastic clip, control panel, motor with axis unit and mount, bulbs, white polycarbonate strips, mounting material, remote control with batteries.
- Covers (polyamide / elastan mix) are machine-washable at 40°C.
- Please use bulbs with a maximum strength of 150 Watt (no halogen!)
- If the mains supply is interrupted the fan and the lighting can only be switched on again using the remote control.
- Mounting on suspended ceilings may cause resonant vibrations with a higher noise level.

Instructions for assembly:

- To begin with open just the package containing the wing, (considerably lighter package)
- Use the aluminum disc with the screwed-on controls as a stencil for ceiling drilling (Ill. 1).
- Using four screws and the underlay disc supplied, attach the aluminum disc to the ceiling. The numerous underlay discs supplied can be used to even out uneven ceilings. Make sure the disc is not bent when being mounted (Ill. 2).
- Connect the device's power supply (N, L and earth) to the terminal in diagram (picture 2).
- Insert the motor unit by hook into the steering head using the bolt (only tilt the motor unit slightly when inserting it!) (Ill. 3.)
- Plug the connectors together (Ill. 4.)
- Carefully swing the motor unit back and forth to check that the sideways bolts fit snugly into the drilled holes in the aluminum cross (Ill. 6.), and if necessary re-adjust the thumb screw. (Ill. 5.)
- Slot on the canopy until it clicks into place, if necessary, take it off again, turn it 45° and slowly slot it upwards until it clicks into place. (Ill. 7.)
- Screw in the lamp, holding the mounting lightly but firmly in place. (Ill. 8.)
- Using clean hands, remove the wings from the packaging, and if necessary correct the position of the fabric in line with the illustration. The seam should later be visible from below, thus ensuring that the seam later casts a shadow. The rubber sewed into the fabric must be located along the thin edge of the white ring.
- Mount the clip between the two wing halves best done on a table) (Ills. 10,11)
- By turning the axle, align the small panels with the two levers as shown. (Ill. 12)
- Tilt the levers in the position set (lower edge must if possible be vertical to the axis, as otherwise the wings cannot be put in place!) (Ill. 9)
- Hold the wing with both hands and guide it over the bulb. (Ill. 13)

O. Close the wing halves above such that the two white segments that stand out meet directly beneath the levers (Ill. 14) in the middle of the small silver aluminum panel and thus click into place in its groove. (Ill. 15)

P. Test-close the two levers and then release one of them again.

Q. Insert the white plastic screen centered in the protruding hook (Ill. 16) such that the white strip fits across the lever and is pressed downward by the latter when the latter is closed. (Close the lever again)

R. Open the lever on the other side and insert the white strip between the two wing halves in such a way that the strip can easily be inserted into the other hook. Close the lever.

S. Turn the safety fuse back on, aim the infrared remote control at the gap between the canopy and ceiling, and check the Propeller's functions.